

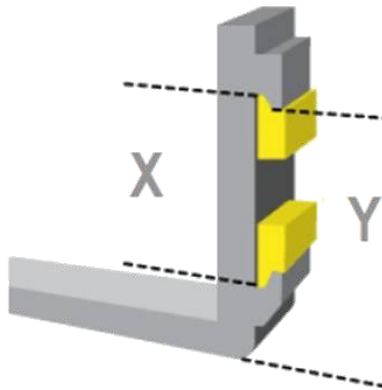
HOOK TYPE FORK

Hook type forks are classified and controlled by the international standard ISO 2328 or ITA (see Table and Figure below).

The classes are set according to the fork capacity and carriage dimensions (distance between hooks, dimension X). There are two main class types, A and B, set by the under head height distance of the top hook to the ground (dimension Y). The most common type is the class A.

TABLE (only most common standards):

ISO 2328 / ITA	Capacity (kg & lbs)	X (mm & inches)	Y (mm & inches)
2A	1000 – 2500 kg	407mm	470mm / 18.50"
2B	2.200 – 5.500 lbs	16"	546mm / 21.46"
3A	3000 – 4500 kg	508mm	568mm / 22.36"
3B	5.501 – 10.000 lbs	20"	695mm / 27.32"
4A	5000 – 7000 kg 10.001 – 17.500 lbs	635mm 25"	744mm / 29.25"



Respecting the carriage dimensional tolerances, hook type forks can have a wide range of blade lengths and section sizes.

