

MSITM

MSI-Forks

**Fork-arms
Easy Order Forms**

Phone: +1 (803) 980-6800
sales@msiforksinc.com



Phone: +44 (1302) 366-961
info@msi-forks.com



www.msi-forks.com

BAR TYPE FORKS

Customer

Company: _____

Phone: _____

Contact: _____

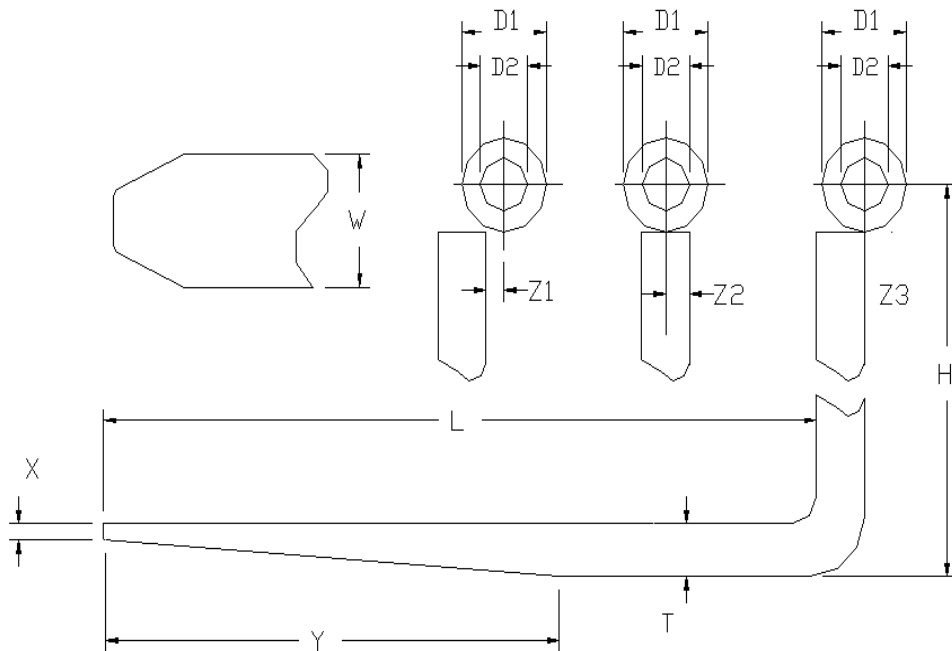
E-mail: _____

Machine

Make & model: _____

Capacity: _____

Comments: _____



Fork dimensions:

W

H

T

D1

L

D2

X

Y

Z1

Z2

Z3

Signed: _____

Date: _____



BLANK FORKS

Customer

Company: _____

Phone: _____

Contact: _____

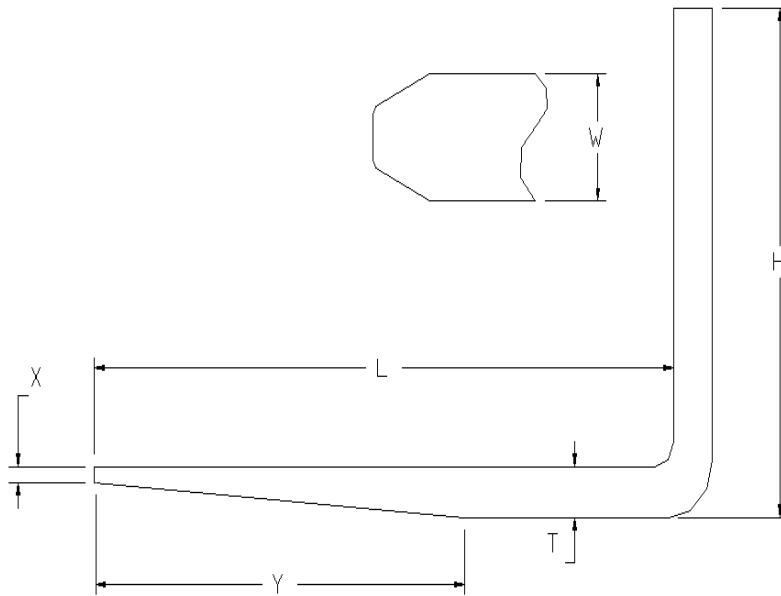
E-mail: _____

Machine

Make & model: _____

Capacity: _____

Comments: _____



Fork dimensions:

W

X

T

Y

L

H

Signed: _____

Date: _____



NON STANDARD HOOK FORKS

Customer

Company: _____

Phone: _____

Contact: _____

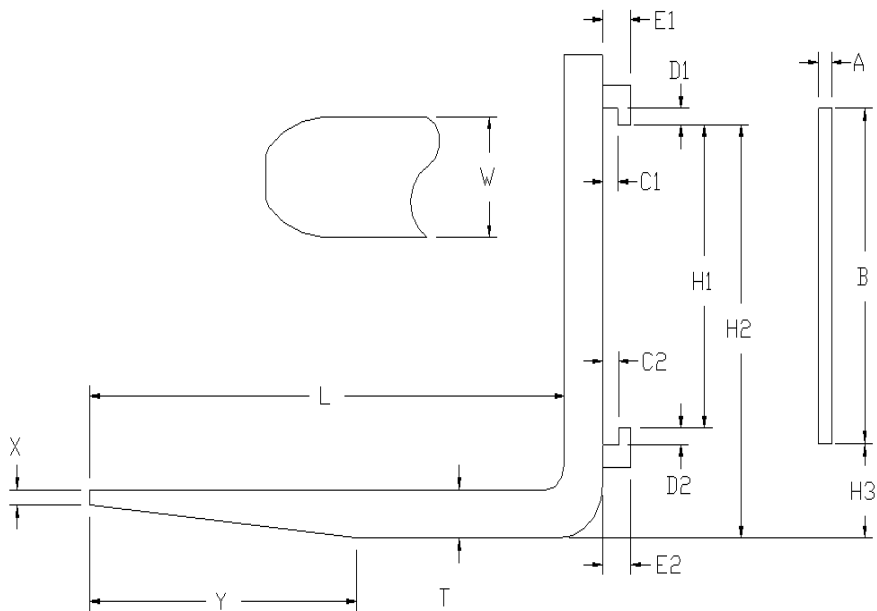
E-mail: _____

Machine

Make & model: _____

Capacity: _____

Comments:



Fork dimensions:

W
T
L
X
Y

H1
H2
H3
A
B

C1 D1 E1
C2 D2 E2

Signed: _____

Date: _____



ITA or FEM HOOK FORKS

Customer

Company: _____

Phone: _____

Contact: _____

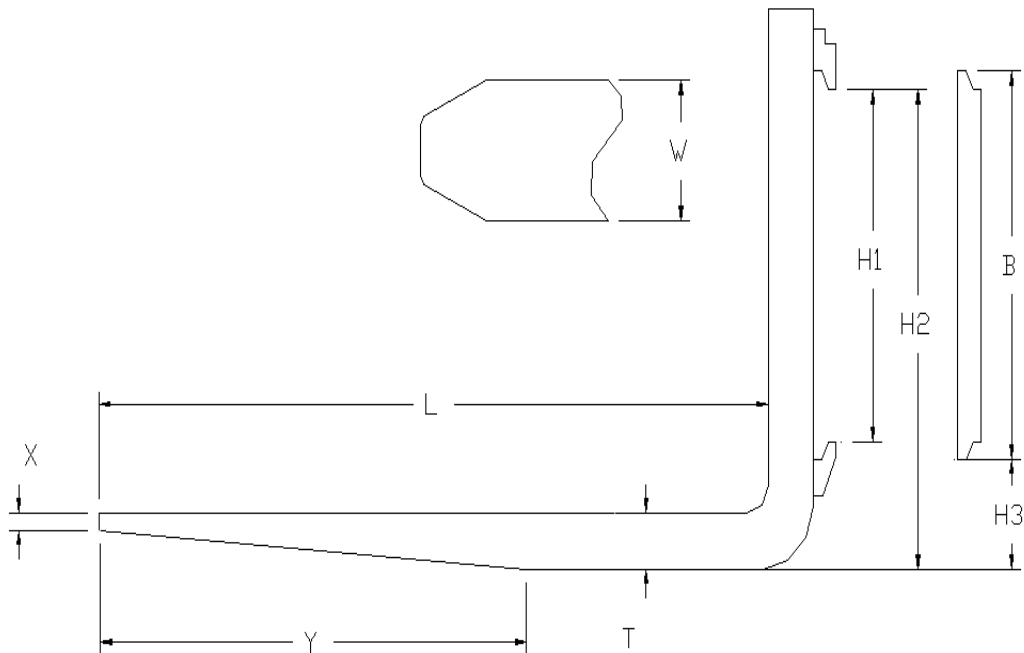
E-mail: _____

Machine

Make & model: _____

Capacity: _____

Comments: _____



Fork dimensions:

W

T

L

X

Y

H1

H2

H3

B

Signed: _____

Date: _____



TERMINAL WEST FORKS

Customer

Company: _____

Phone: _____

Contact: _____

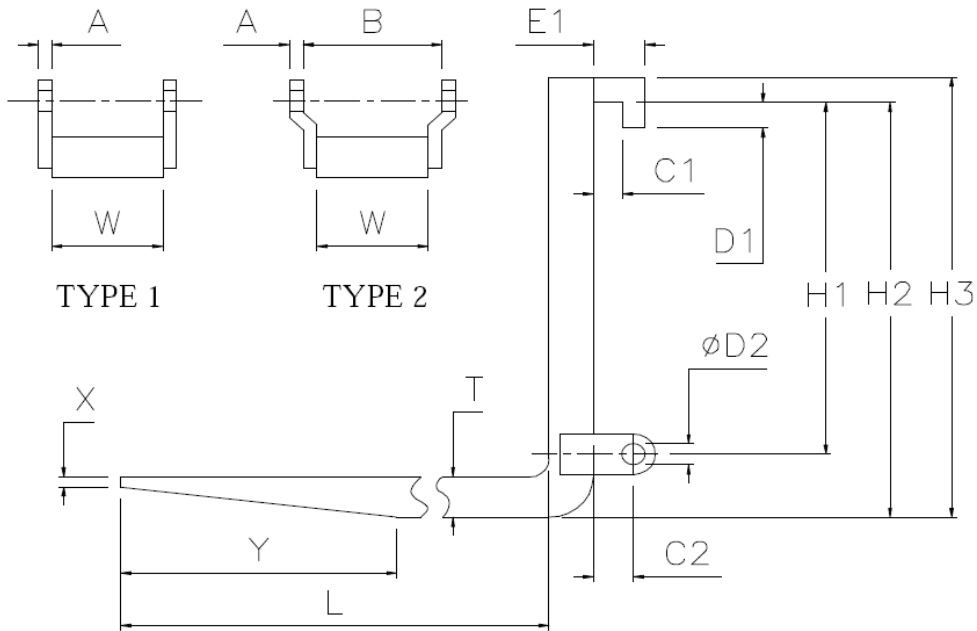
E-mail: _____

Machine

Make & model: _____

Capacity: _____

Comments: _____



Fork dimensions:

W

H1

T

H2

L

H3

X

A

C1

D1

E1

Y

B

C2

D2

Signed: _____

Date: _____

